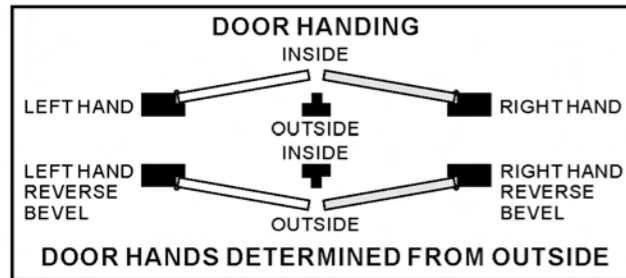
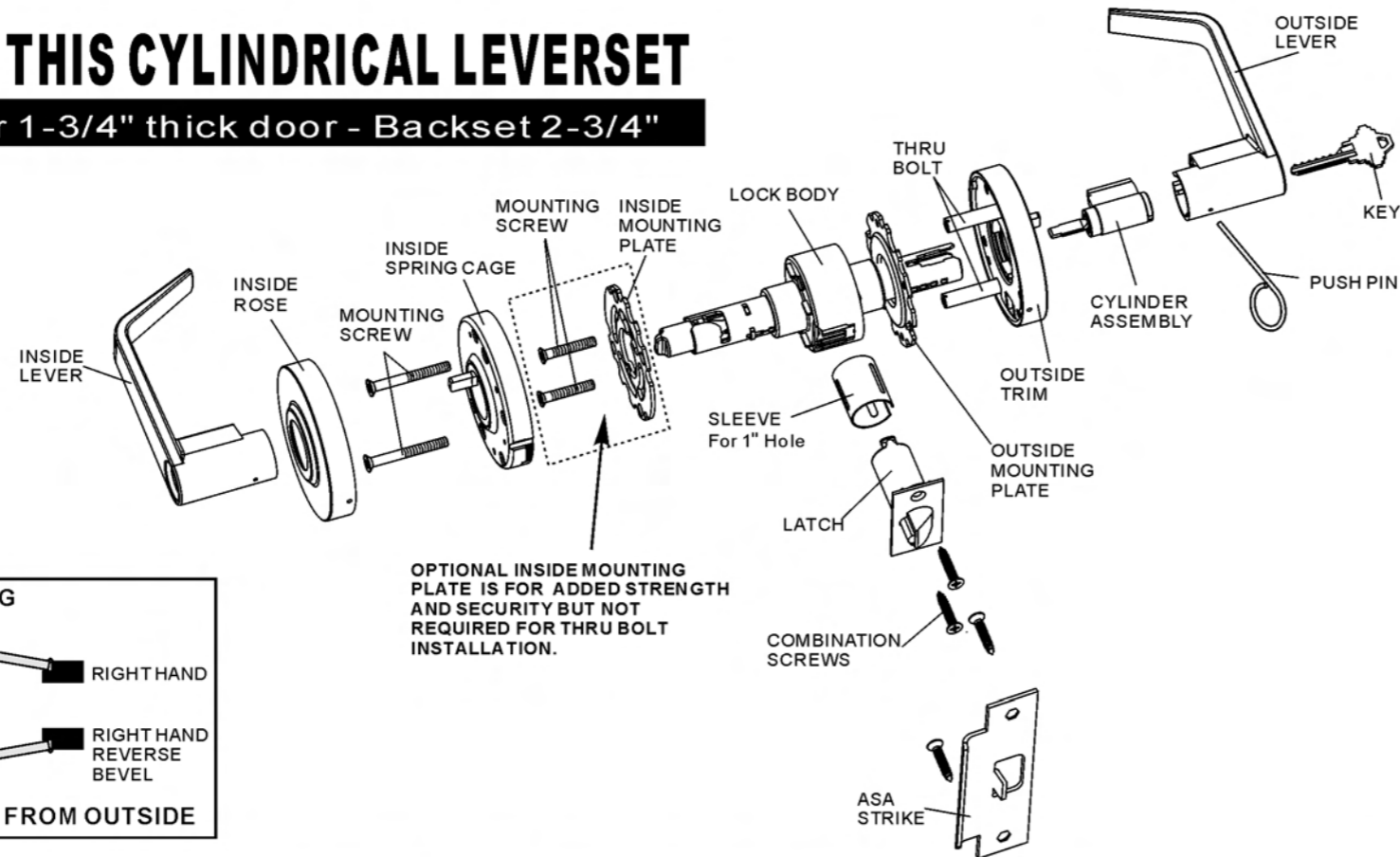


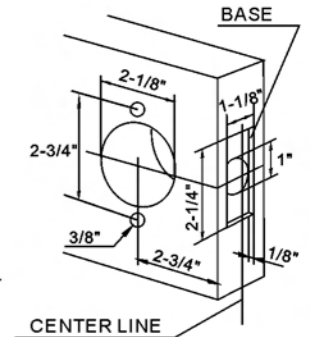
# HOW TO INSTALL THIS CYLINDRICAL LEVERSET

Leverset is set for 1-3/4" thick door - Backset 2-3/4"



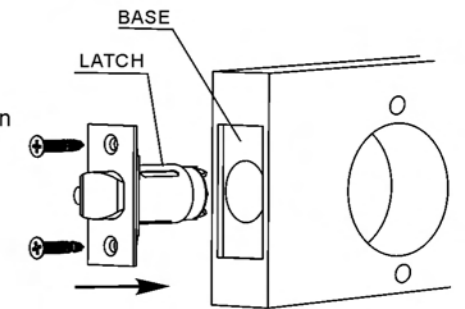
## New Door Preparation

- A:** Fold template on edge of door and mark holes.
- B:** Drill a 2-1/8" hole and two 3/8" holes through door (from both sides to avoid damaging door).
- C:** Drill a 1" hole in door edge.
- D:** Cut out a 2-1/4"x1-1/8"x1/8" base.

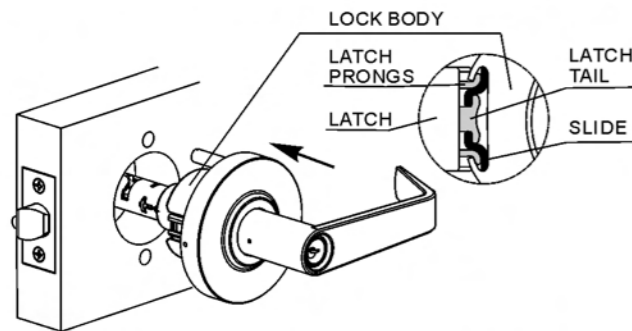


## 1 INSTALL LATCH

Insert latchbolt and secure with combination screws.

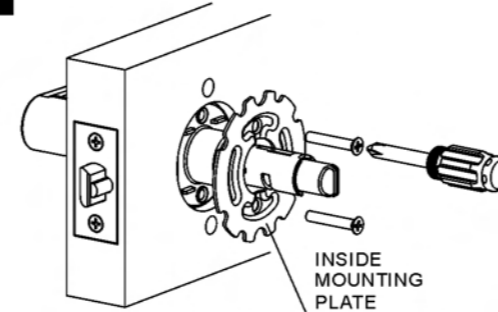


## 2 INSTALL LOCK BODY AND OUTSIDE TO DOOR

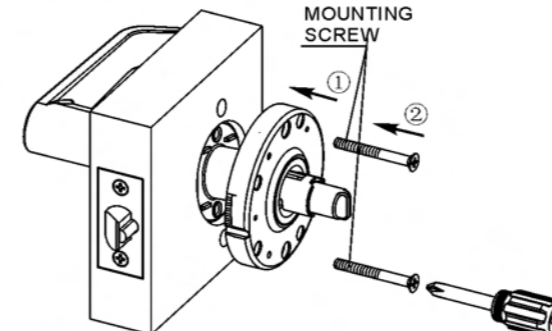


**2A:** Place lock body into position. Make sure that latch prongs engage chassis housing, and slide engages latch tail.

## 3 INSTALL INSIDE

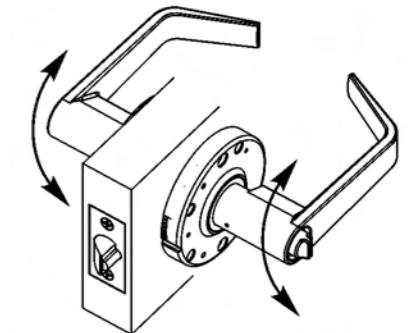
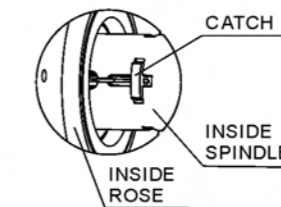


Install **OPTIONAL** inside mounting plate now if it is being used. (Note: Inside mounting plate is for added strength and security but not required for thru bolt installation.)

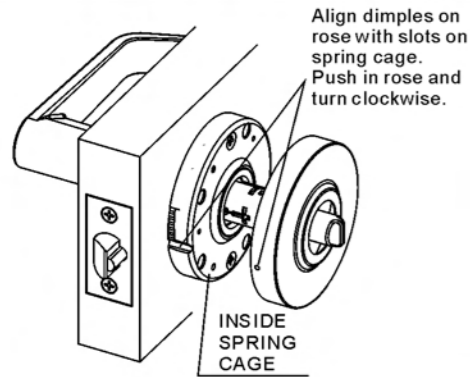


**3A:** Install inside spring cage and secure with two mounting screws.

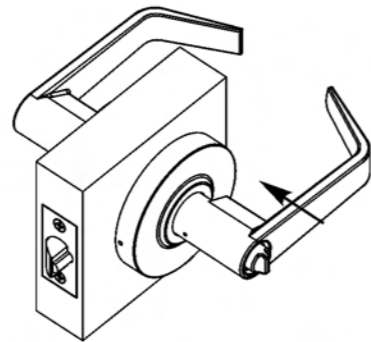
**IMPORTANT**  
If the door is thicker than 2", the catch will be covered by inside rose, do not install inside lever and lock.



**3B:** Slide inside lever onto spindle but do not lock it into place and check to see if the rotation is smooth. Adjust the radial clearance between inside spring cage and inside lever if necessary.

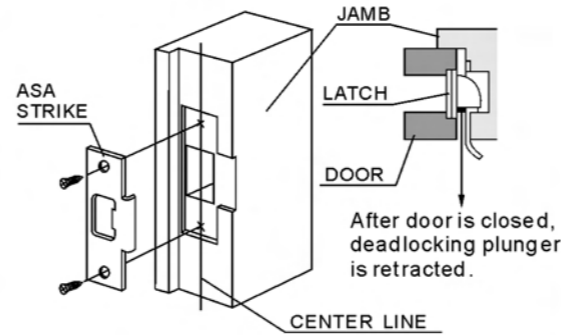


**3C:** Remove inside lever and install inside rose, make sure inside rose and inside spring cage are secure.

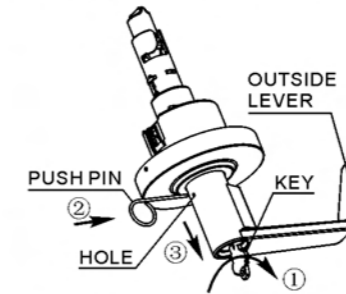


**3D:** Slide inside lever onto spindle. Push lever completely onto spindle until it locks into place. (Pull on lever to make sure that catch is fully engaged.)

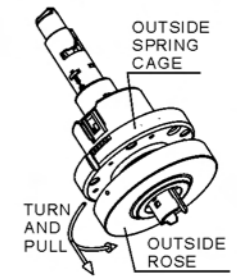
## 4 INSTALL STRIKE



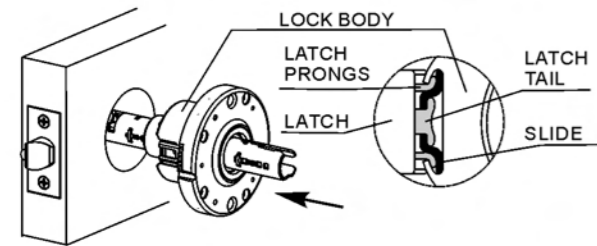
## INSTRUCTIONS FOR CYLINDER REPLACEMENT OR NON THRU BOLT DOOR INSTALLATION



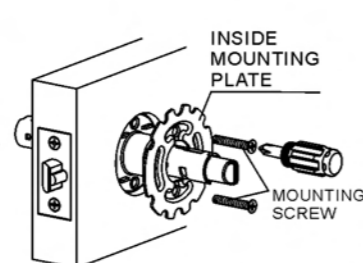
**A:** Turn key 75° clockwise, insert push pin into hole in outside lever to depress catch. Remove the outside lever.



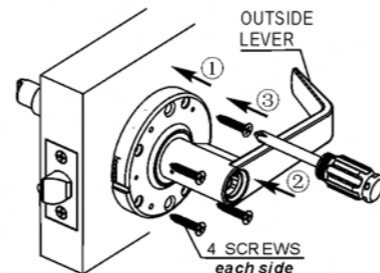
**B:** Remove outside rose from outside spring cage. (Remove thru bolts now if lock is to be used for non thru bolt door installation.)



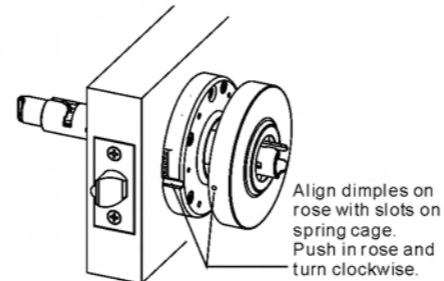
**C:** Place lock body into position. Make sure that latch prongs engage chassis housing, and slide engages latch tail.



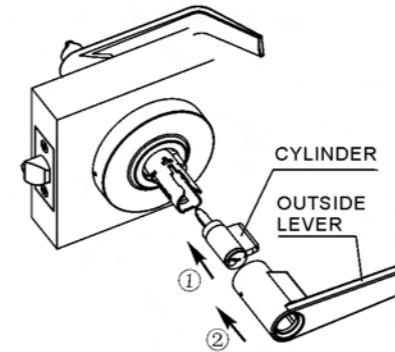
**D:** Install inside mounting plate with two mounting screws.



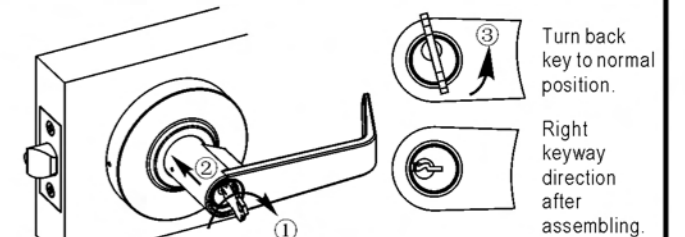
**E:** Install outside spring cage and lever, check rotation of lever. Install inside spring cage and lever in the same way.



**F:** Remove outside lever and install outside rose, remove inside lever and install inside rose, inside lever.

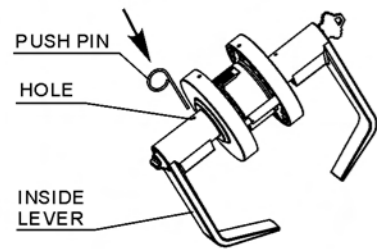


**G:** Install cylinder and lever.

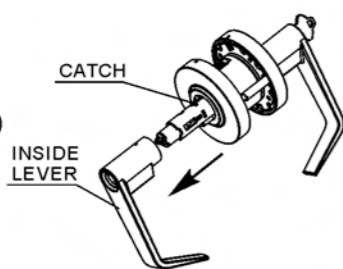


**H:** Turn the key approximately 80° clockwise and push the lever all the way onto the spindle and then turn the key back to normal position.

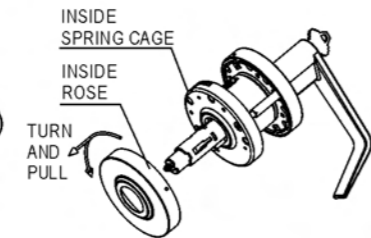
## INSTRUCTIONS FOR ADJUSTING LOCK TO FIT DOOR THICKNESS OTHER THAN 1-3/4"



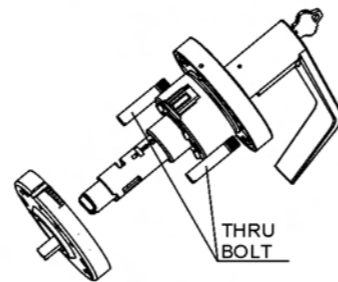
**A:** Insert push pin into hole in inside lever to depress catch.



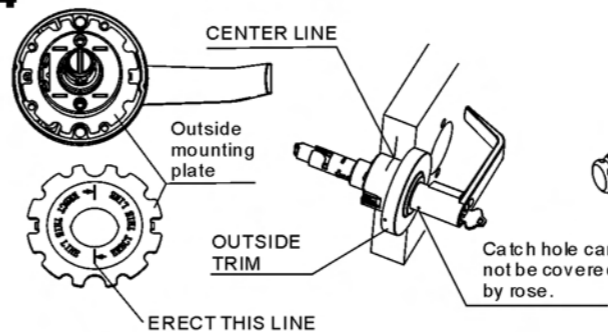
**B:** Remove the inside lever from spindle.



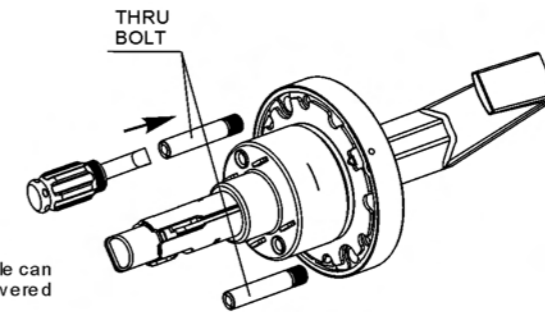
**C:** Remove inside rose by turning and pulling off.



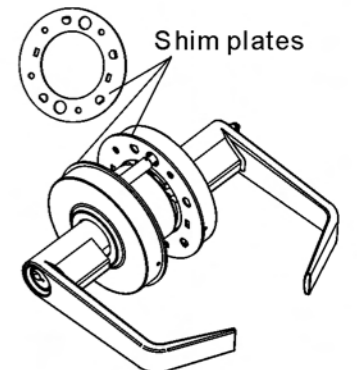
**D:** Remove inside spring cage and unscrew the two thru bolts with a screw driver.



**E:** Turn outside mounting plate to adjust center line of lock body to match the centerline of the door.

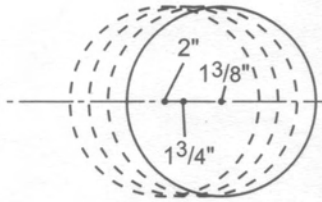


**F:** Screw two thru bolts back in for standard installation or leave them out for non thru bolt door installation.



**G:** If the lock is to be used on a door 1 3/8" thick, two shim plates must be added to thicken the door.

# TEMPLATE



Mark center of door thickness for 1" dia. hole



Mark center for 2 <sup>1</sup>/<sub>8</sub>" hole



Mark center for 3/8" hole



Mark center for 3/8" hole

