

### Installation Instructions

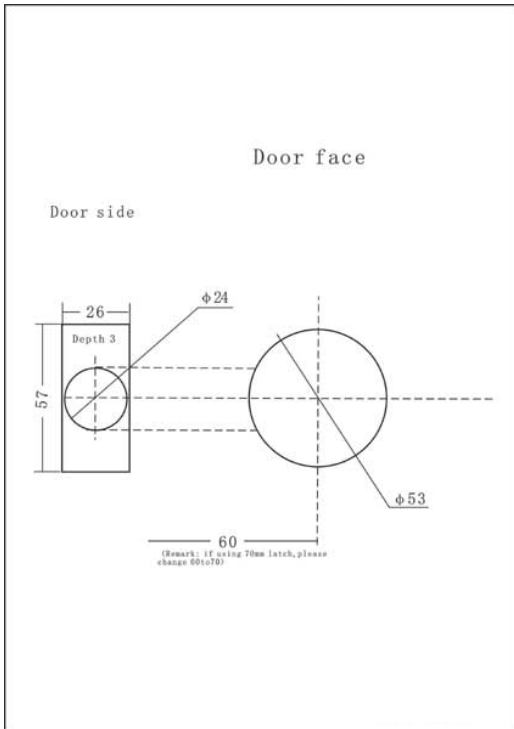


Figure 1

Affix paper template to door and follow template instructions in preparing door. Use the template that is in the box as the template shown is for reference only and is not to scale. Door can be prepped for a 2-3/4" or a 2-3/8" backset.

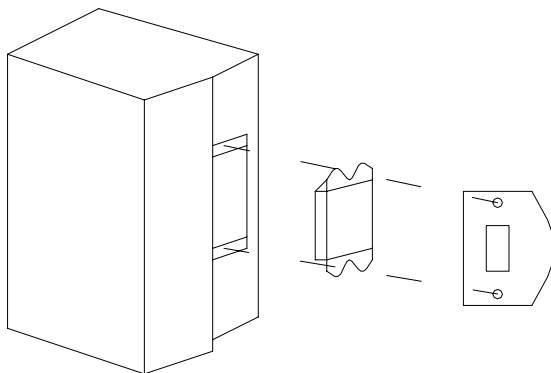


Figure 2

Install the strike and dust box on the frame, as shown in Figure 2 with the horizontal center line of the strike aligned with the center line of the latch hole shown in Figure 1.

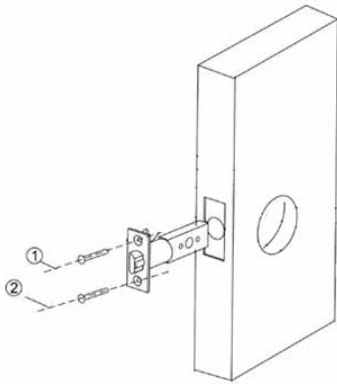


Figure 3

Install either the 2-3/4" or the 2-3/8" latch into the door as shown in Figure 3. Use the two 3.5 x 20mm screws (1, 2) to fasten the latch into the hole.

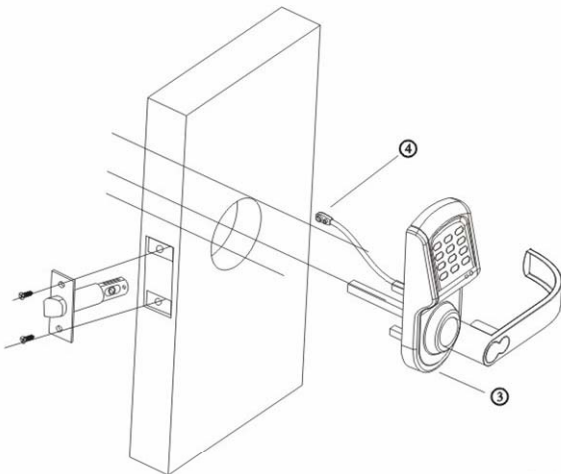


Figure 4

Remove lock from packaging. Pull the power wire (4) through the 53mm hole routing it above latch, then mount the exterior housing (3) through 53mm hole. The square spindle fits through the square cam opening in the latch. Ensure that the power wire is not pinched against anything and is not in the way of any moving parts.

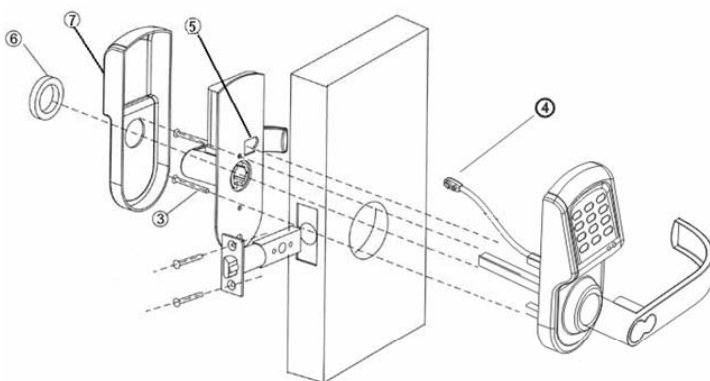
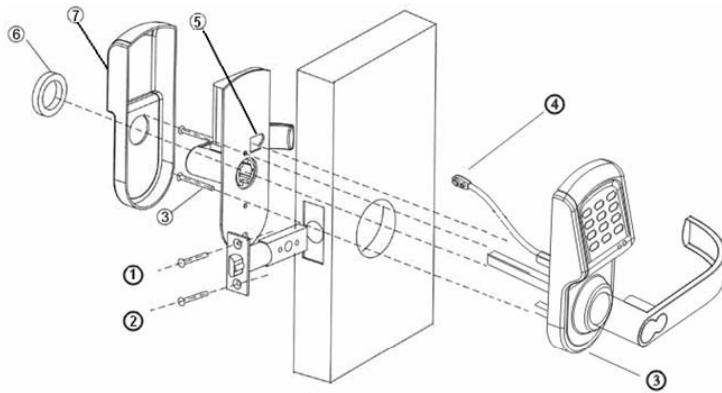


Figure 5

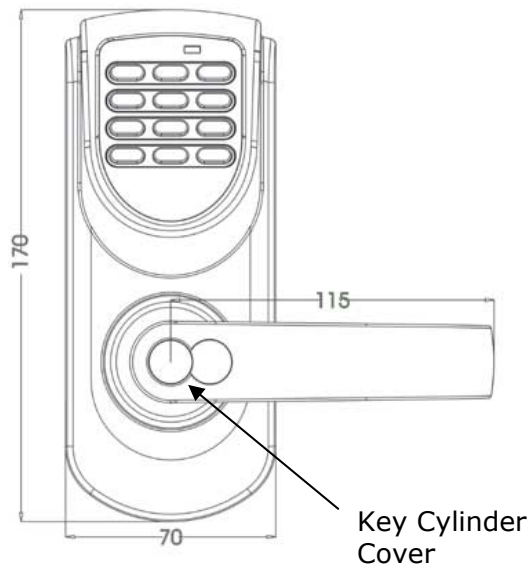
Remove inside lock body cover by loosening retaining ring (6) and carefully passing inside lock body cover (7) over inside lever. Pull the power wire through the hole (5) in the inside lock body and mount the inside lock body on the door using the two 4 x 35mm screws (3). Prior to tightening the screws fully, ensure that the outside lock body and the inside lock body are aligned vertically and with each other. After tightening, plug the power wire into the bottom connector of the battery tray.



Install four AA batteries in the battery pack. Reinstall the back cover and tighten down using the retaining ring (6). Use the retaining ring wrench to carefully tighten.

Figure 6

### Lock Dimensions



## Quick Start Programming Instructions

1. With door in open position, test lock operation as follows:
  - Depress inside lever, latch should retract smoothly.
  - Enter the default master code on the keypad "111111," the unit should unlock allowing the outside lever to retract the latch.
2. Change master code:
  - Press "# # + Master Code + \* \* \* + New Master Code + New Master Code."
  - Enter the new master code (the unit should unlock).
3. Add a keypad code (all codes must be 6 digits long)
  - Press "# # + Master Code + # \* \* 3 digit user position number + New User Code + New User Code."
  - Enter the new user code (the unit should unlock).
4. Delete a keypad code
  - Press "# # + Master Code + \* \* \* 3 digit user position number + 3 digit user position number"
  - Enter the old user code (the unit should *not* unlock.)

### Examples:

#### Example of changing the master code:

Factory Default Master Code = 111111  
New (sample) Master Code = 123456

- Press "# # + 111111 + \* \* \* + 123456 + 123456"

#### Example of adding a user code:

New (sample) 3 digit user position number = 001  
New (sample) keypad code = 232323  
Sample Master Code = 111111

- Press "# # + 111111 + # \* \* 001 + 232323 + 232323"

**Keep a written record of all users entered into the lock (see example below).**

<b>User Name</b>	<b>3 Digit User Position #</b>	<b>6 Digit Code</b>
Example Code User #1	001	232323
Example Code User #2	002	015436

**To turn toggle mode on:**

- Press “## + Master Code + ### + ###”
- Now pressing any key will unlock lever momentarily.

**To turn toggle mode off:**

- Press any button. After green light turns on, Press “## + Master Code + ### + ###”
- Now entering complete User Code is required to unlock lever.

**To place the lock in mechanical passage mode:**

- Remove key cylinder cover if installed. Insert key in the lever and turn key counterclockwise until there is resistance (5 rotations) then turn the key a partial turn clockwise until the key can be removed. The outside lever should now retract the latch when ever it is turned.

**To return the lock from mechanical passage mode to code entry:**

- Insert key in the lever and turn key clockwise until there is resistance (5 rotations) then turn the key a partial turn counterclockwise until the key can be removed. The outside lever should now retract the latch only after a valid code has been entered.

**Resetting the Master Code:**

There is a reset switch on the back of the front plate of the lock. Press this switch to restore the master password to “111111.” Pressing this switch continuously for more than two seconds will restore the keypad to the original factory condition, delete all user codes, and restore the master password to “111111.”