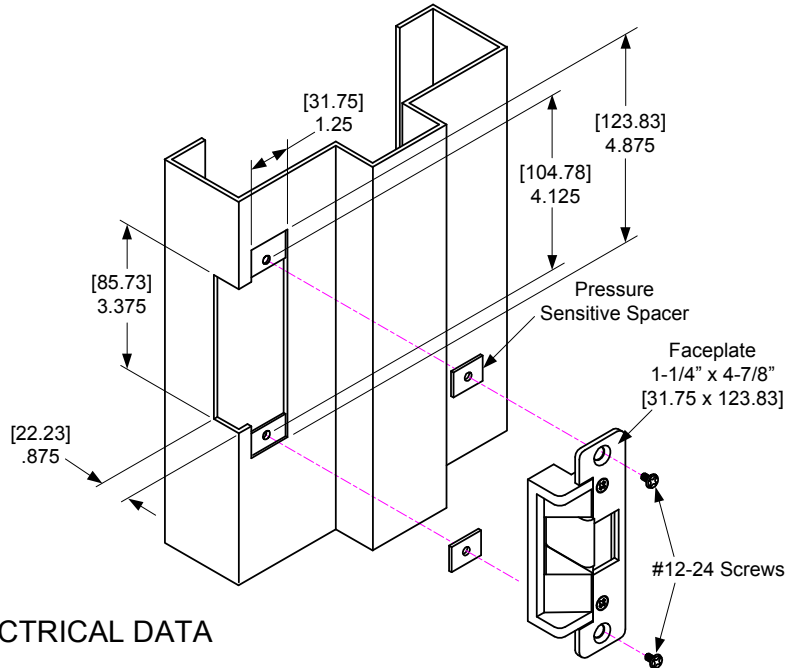




801 Avenida Acaso, Camarillo, Ca. 93012
 • (805) 494-0622 • Fax: (805) 494-8861
 www.sdcsecurity.com • E-mail: service@sdsecurity.com

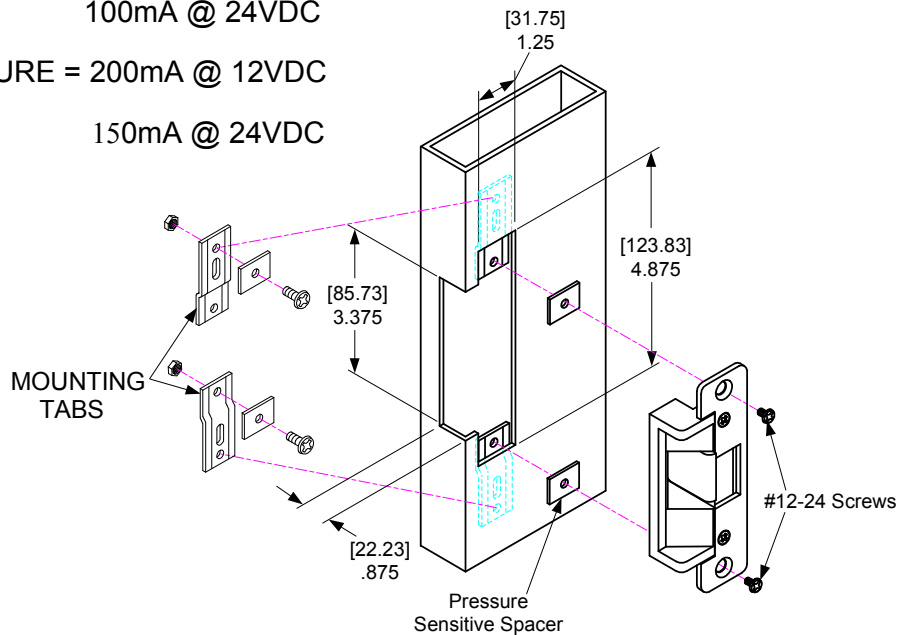
Security Door Controls

**15 SERIES
 ELECTRIC STRIKE
 INSTALLATION INSTRUCTIONS**



ELECTRICAL DATA

FAIL SAFE = 200mA @ 12VDC
 100mA @ 24VDC
 FAIL SECURE = 200mA @ 12VDC
 150mA @ 24VDC



Any suggestions or comments to this instruction or product are welcome. Please contact us through our website or email engineer@sdsecurity.com