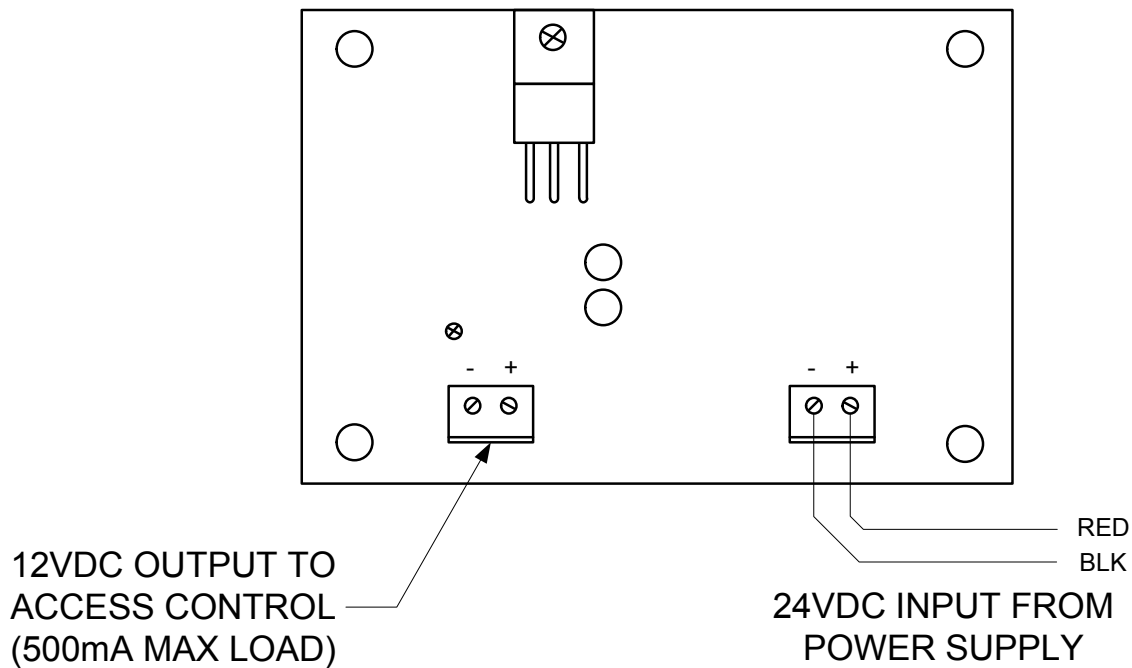


SDC Security Door Controls

801 Avenida Acaso, Camarillo, Ca. 93041 • (805) 494-0622 • Fax: (805) 494-8861
www.sdcsecurity.com • E-mail: service@sdsecurity.com

12VR REGULATOR MODULE WIRING

All SDC power supplies are equipped with a filed selectable 12VDC or 24VDC output. The addition of the 12VR enables dual 12VDC and 24VDC output capability. The 12VR is a 12VDC, 500mA Regulated and Filtered Output Module. With the power supply output set at 24VDC for locking devices and components, the addition of the 12VR provides a separate 12VDC 500mA output for Access Control or other 12VDC devices.



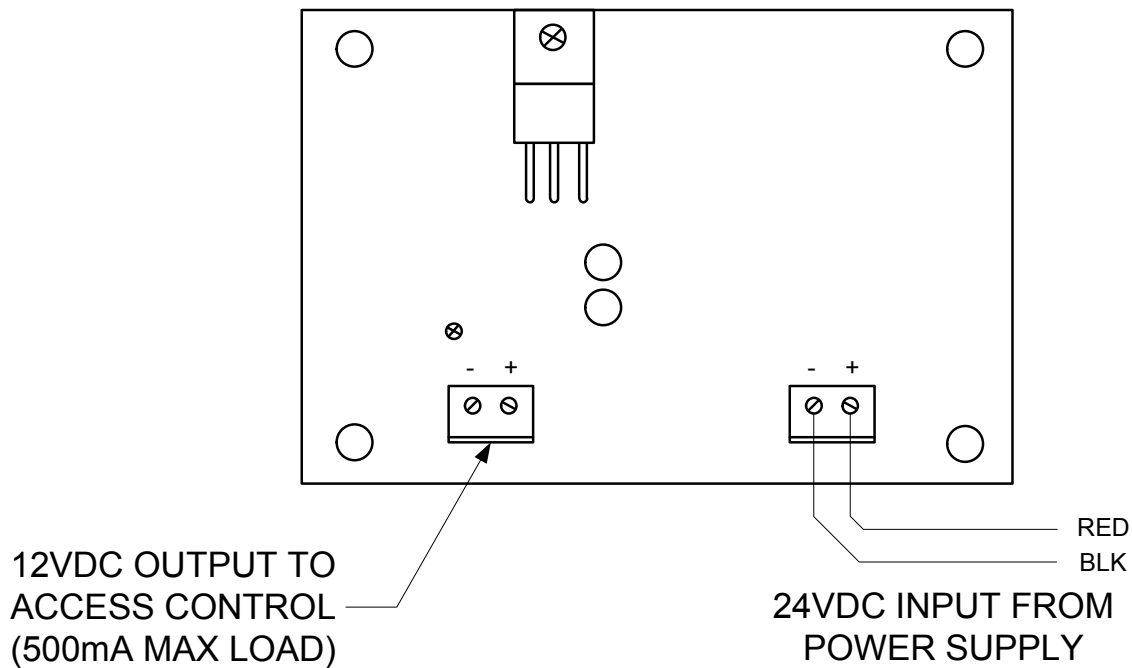
Any suggestions or comments to this instruction or product are welcome. Please contact us through our website or email engineer@sdsecurity.com

SDC Security Door Controls

801 Avenida Acaso, Camarillo, Ca. 93041 • (805) 494-0622 • Fax: (805) 494-8861
www.sdcsecurity.com • E-mail: service@sdsecurity.com

12VR REGULATOR MODULE WIRING

All SDC power supplies are equipped with a filed selectable 12VDC or 24VDC output. The addition of the 12VR enables dual 12VDC and 24VDC output capability. The 12VR is a 12VDC, 500mA Regulated and Filtered Output Module. With the power supply output set at 24VDC for locking devices and components, the addition of the 12VR provides a separate 12VDC 500mA output for Access Control or other 12VDC devices.



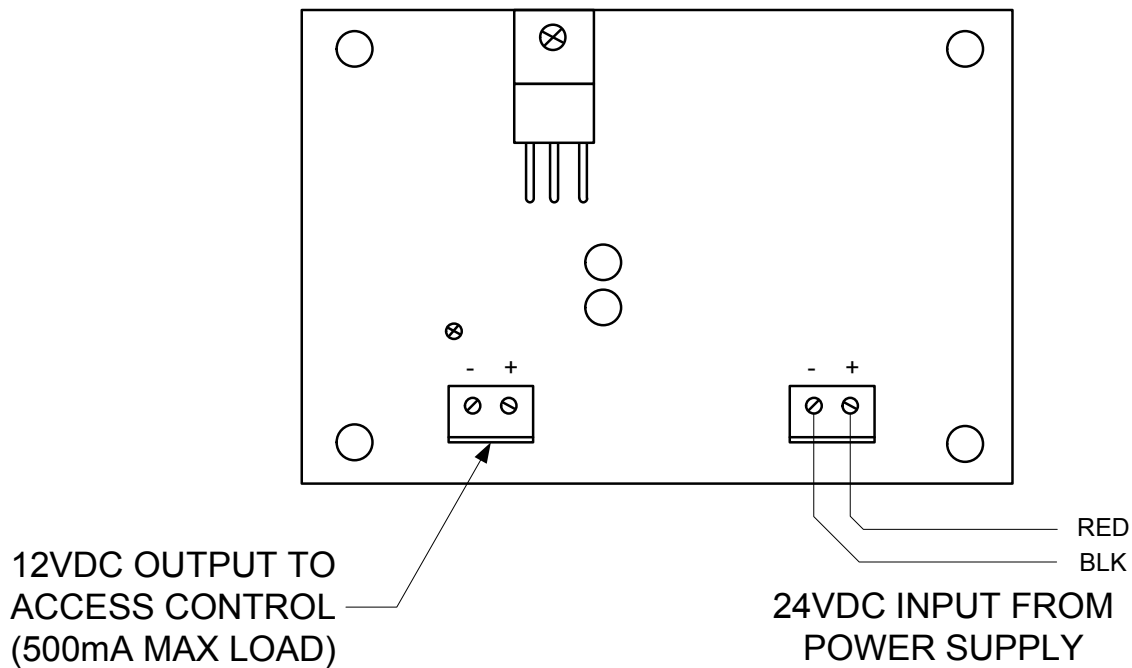
Any suggestions or comments to this instruction or product are welcome. Please contact us through our website or email engineer@sdsecurity.com

SDC Security Door Controls

801 Avenida Acaso, Camarillo, Ca. 93041 • (805) 494-0622 • Fax: (805) 494-8861
www.sdcsecurity.com • E-mail: service@sdsecurity.com

12VR REGULATOR MODULE WIRING

All SDC power supplies are equipped with a filed selectable 12VDC or 24VDC output. The addition of the 12VR enables dual 12VDC and 24VDC output capability. The 12VR is a 12VDC, 500mA Regulated and Filtered Output Module. With the power supply output set at 24VDC for locking devices and components, the addition of the 12VR provides a separate 12VDC 500mA output for Access Control or other 12VDC devices.



Any suggestions or comments to this instruction or product are welcome. Please contact us through our website or email engineer@sdsecurity.com