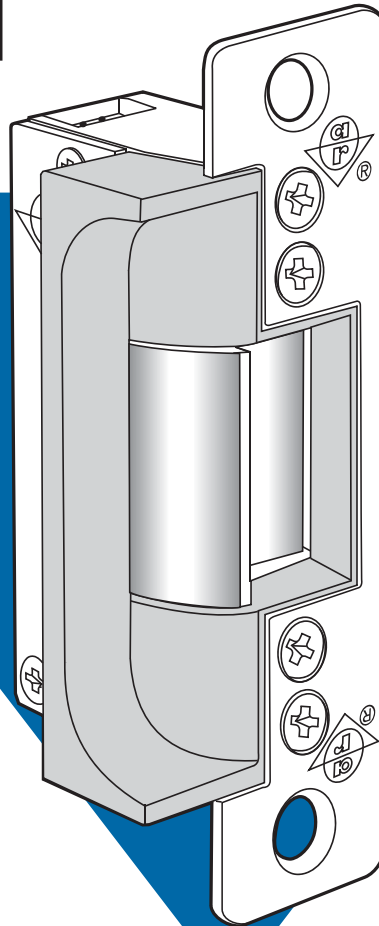


VOLTAGE		
Available in 12 or 24 volt AC and DC. DC Continuous units are silent, AC intermittent units "buzz" on operation.		
CURRENT DRAW/AMPS		
Volts	AC Int.	DC Cont.
12	1.42	.33
24	.74	.17

7160

ANSI/BHMA Type EO9321 (Grade 1)



PATENTED

UL Listed for Burglary Resistance

LATCH TYPE	
	Mortise and Cylindrical Latches with 3/4" Projection without Deadbolt
DOOR FRAME TYPE	
	Aluminum Jamb

All 3/4" throw latches require 1/8" minimum door gap. Horizontal center line of strike must match center line of mortise latchbolt.

▼ Case

Approx. 1" x 3-3/8" x 1-7/8" deep. Zinc-aluminum alloy.

▼ Strike Lip

Basic 7160 strikes have lip of proper length for 1-3/4" thick door that closes flush with jamb edge. Where door thickness or jamb shape differs from this standard relationship, extended lip is available, specified by last dash number.

▼ Function

Remote electrical control of any door equipped with one of the mortise type latchsets listed at right. Electrical actuation unlocks strike jaw, releasing latchbolt so door can be opened without operating latch itself. Extremely compact mechanism fits into hollow jamb sections as shallow as 1-7/8". Fits prep for 7560/7860.

▼ Strike Opening

3/4" x 1-7/16" x 5/8" deep. Bolt retainer jaw is made of stainless steel. Strike location must be centered on latchbolt.

▼ Faceplate

Measures 1-1/4" x 4-7/8". Faceplate is flat, with radiused corners. Available in a wide range of architectural finishes.

▼ Fail Safe/Fail Secure

Field convertible from one mode to the other. However, AC intermittent solenoid must not be used continuously in either.

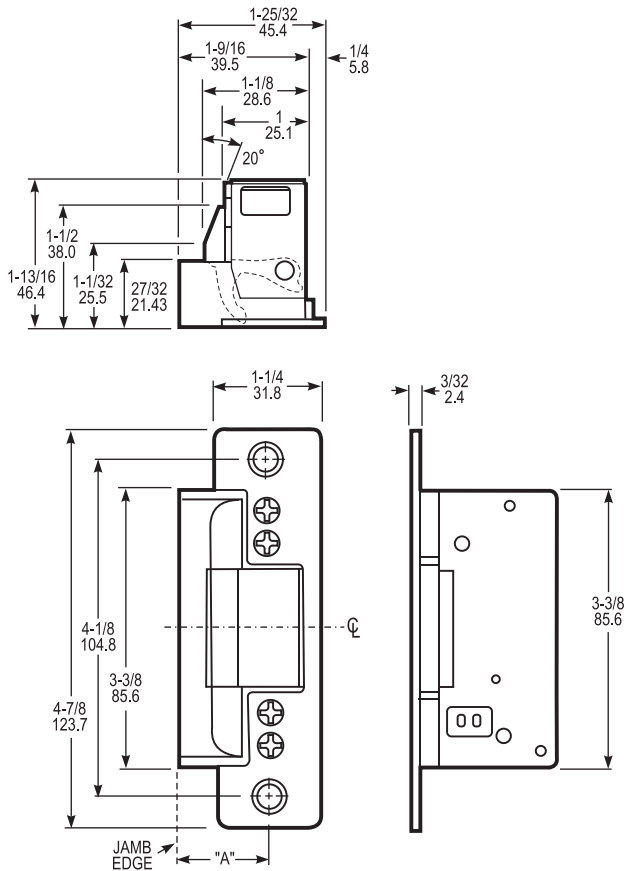


7160 Electric Strike

DIMENSIONS

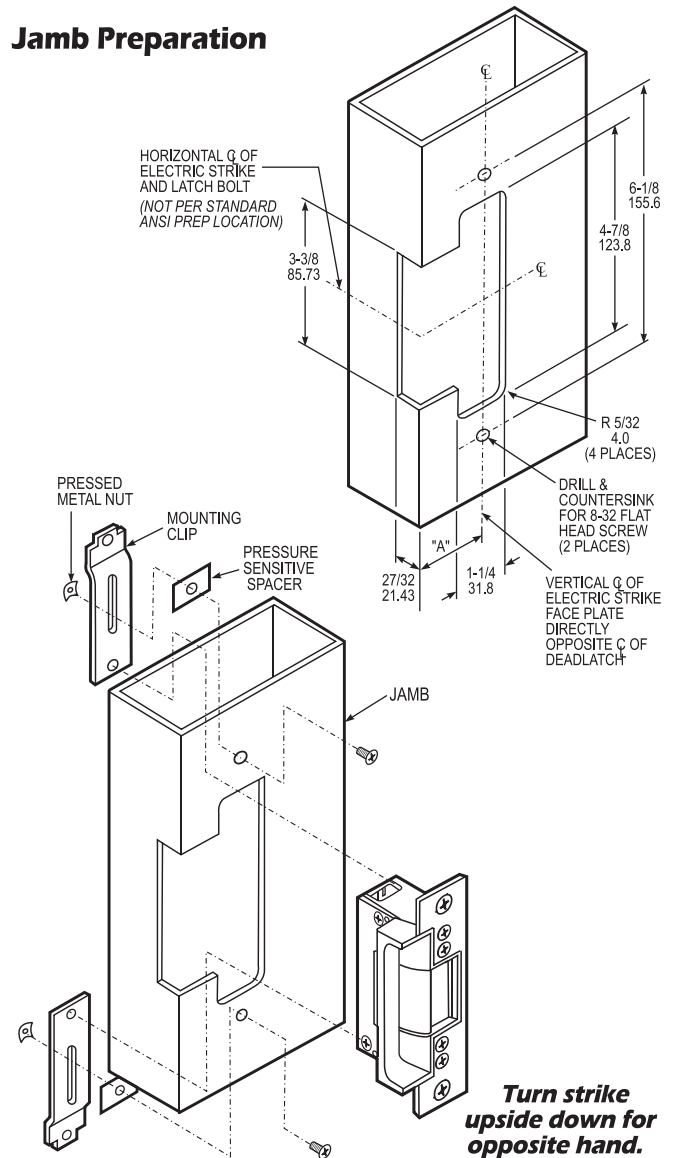
**INCHES
MILLIMETERS**

Nominal, subject to tolerance extremes.



INSTALLATION

Jamb Preparation



HOW TO ORDER

Specify quantity and the following information.
Order 4603 Rectifier and/or 4605 or 4606 Transformer separately.

Voltage

- 3** 12 Volt
- 5** 24 Volt

Current & Duty

- 1** DC Continuous or Intermittent
- 4** AC Intermittent

Features*

- 0** Std/Fail-Secure
- 5** Fail-Safe
- 7** Monitor/Fail-safe
- 9** Monitor/Fail-Secure

7160 - 3 10 - 628 - 00

Finish

- 628** Clear Anodized
- 313** Dark Bronze Anod.
- 335** Black Anodized
- 626** Satin Chrome

Lip Extension (Dim. "A")

- (Door Centerline to Jamb Edge)
- | | |
|-------------------------|-----------------|
| 00 1.06" or less | 07 2.25" |
| 01 1.50" | 08 2.38" |
| 02 1.63" | 09 2.50" |
| 03 1.75" | 10 2.63" |
| 04 1.88" | 11 2.75" |
| 05 2.00" | 12 2.88" |
| 06 2.13" | 13 3.00" |

*Fail-secure can be field-converted to fail-safe or vice-versa.

STANDARD PACKAGE

Individually boxed with mounting screws, mounting clips and adhesive shims to accommodate jamb extrusion thickness greater or less than nominal 1/8 inch.

OPTIONS

Available with two monitoring signal switches which sense whether latch bolt is in strike and whether strike jaw is blocked. Choice of voltage in AC and DC for intermittent or continuous duty. Available with extended strike lip (see chart). Specify assembled for either fail-secure (locked when unpowered) or fail-safe (locked when powered) operation, but can be field-converted to the other mode.

4603 Rectifier - Converts AC to DC, installs in low voltage line between transformer and strike. Rated 2 amps. (200 PIV).

4605 Transformer - Converts 120VAC to 12/24VAC. Rated 40 Volt-amp output assures plenty of power for strike release. Patented mounting bracket fits in knockout hole of standard junction boxes.

4606 Transformer - Plug-in version for standard wall outlet.

See separate specification sheet for more information on Strike options.