

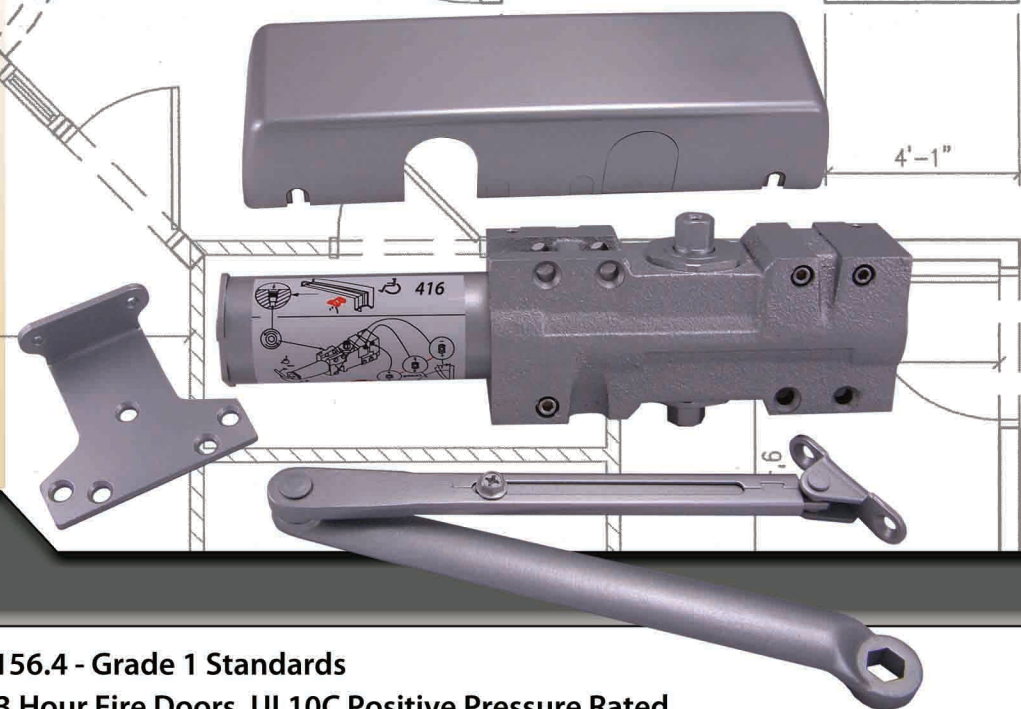
416 Series

Heavy Duty Door Closer



16'-5"

1'-11"



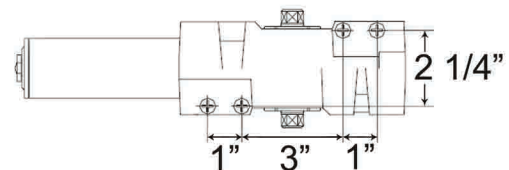
Specifications

- ANSI:** Meets ANSI A156.4 - Grade 1 Standards
- UL Listings:** For "A" Label 3 Hour Fire Doors, UL10C Positive Pressure Rated
- ADA Compliance:** Meets ADA requirements ANSI A117.1
- Closer Body:** Heavy Duty Cast Iron Closer Body with Precision Rack & Pinion Construction
- Piston & Spindle:** Heat Treated Steel Piston & Spindle with Needle Bearings for Smooth Operation
- Springs:** Heat Treated Heavy Duty Tempered Spring
- Spring Sizing:** Adjustable Spring Power from Size 1 to 6 - Factory preset at size 3
- Speed Controls:** Independent Latch & Sweep Speed Controls
- Back Check:** Adjustable Back Check Intensity Control Valve
- Valves:** Staked Valves to prevent backing valves out too far
- Covers:** Molded Plastic Cover included for finished look
- CTC Hole Pattern:** 2 holes 1" CTC, 3" CTC horizontal x 2 1/4" CTC vertical
- Projection:** 2 1/4" projection with cover installed
- Minimum Top Rail:** Regular: 3 3/4" - Top Jamb: 1 1/4" - Parallel Arm: 5 3/8"
- Fasteners:** Thru bolts with machine screws, Wood screws & Self tapping machine screws included
- Mounting styles:** Includes all screws and brackets for Regular, Top Jamb and Parallel Arm Installations
- Accessories:** Hold Open Arms, Heavy Duty Arms, Drop Plates, Extended Arms & more...
- Warranty:** Limited Lifetime Warranty



Available Finishes

DH #	US #	BHMA #	Finish Description
AL	ALUM	689	Aluminum Painted
BZ	DURO	690	Dark Bronze Painted



211 Endeavor Drive - PO Box 680
Rogersville, MO 65742
PH 877-258-1262 FX 877-888-0150
www.designhardware.net