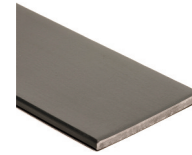


## Solid Metal Astragals

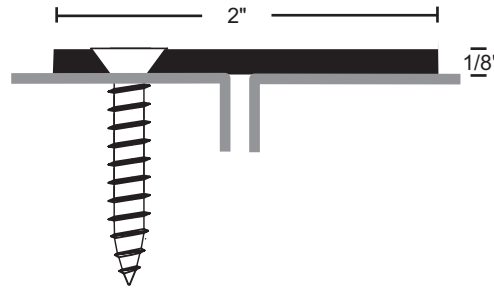
- Available lead-lined .030" thick lead, suffix "LD"
- Available with SNB, specify



**139SP Steel Prime Coat**  
**139SPDKB Steel Dark Bronze**



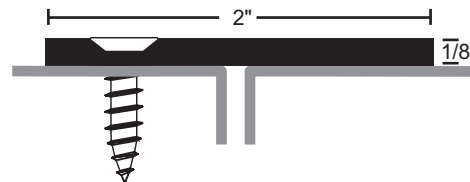
Furnished with #12 x 1-1/4" SMS. Can replace astragal required by the door manufacturer on wood or metal fire-rated doors. IBC, NFPA80, NFPA 252 require the gap at the meeting edge between fire labeled doors must not exceed 1/8". Astragal must overlap gap and inactive door minimum of 3/4".



**139A Aluminum Clear Anodized**  
**139DKB Aluminum Dark Bronze**  
**139BR Brass**



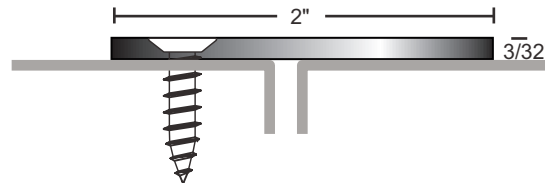
#10 x 3/4" SMS furnished



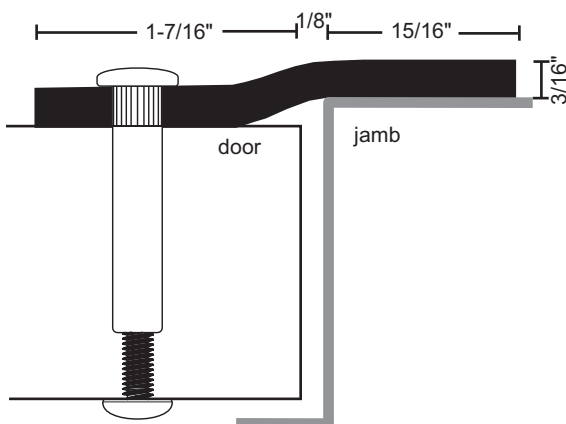
**139SS Stainless Steel**  
type 304 brushed #4 finish (US32D, 630)



#10 x 3/4" SMS furnished



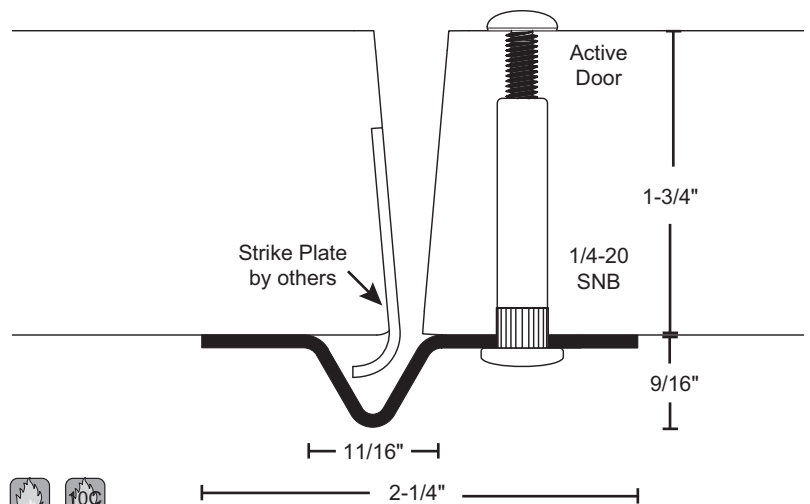
## Steel Security Astragals



**1392SP Steel Prime Coat**



Maximum height 120"  
#1/4-20 SNB's furnished.



**1390SP-83-1/8" 14 Ga. Galvanneal Steel Prime Coat**  
**1390SP-95-1/8"**

Fits over curved lip strikes.  
No notching, no field cutting.