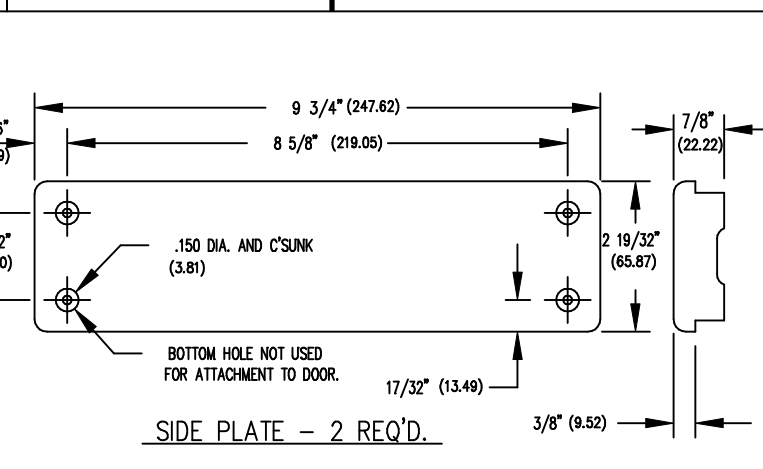
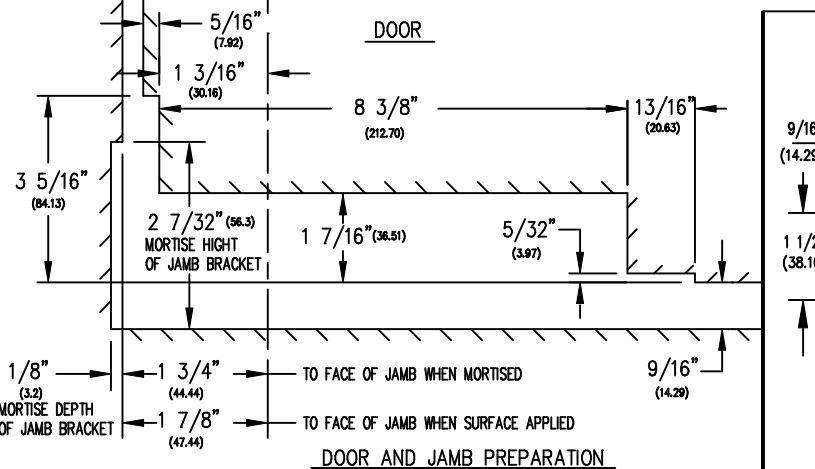
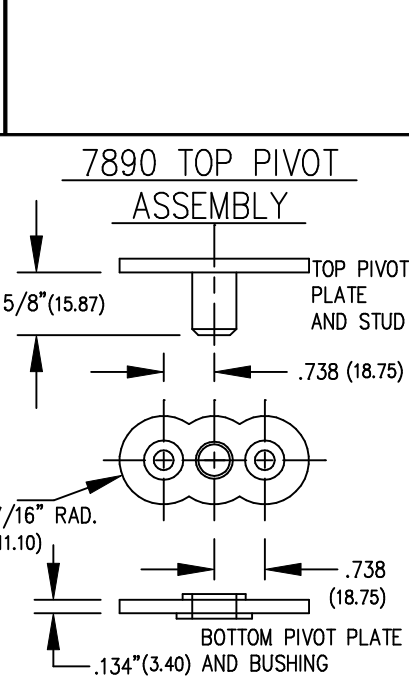
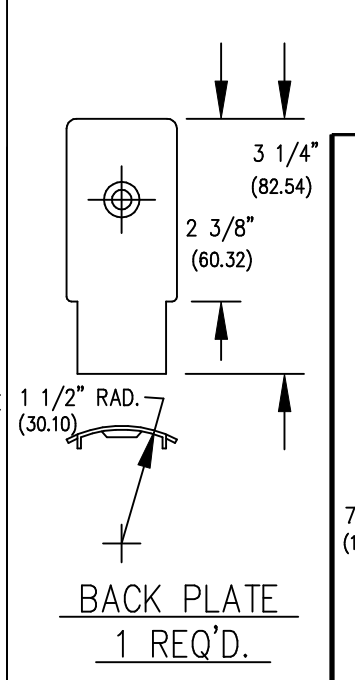
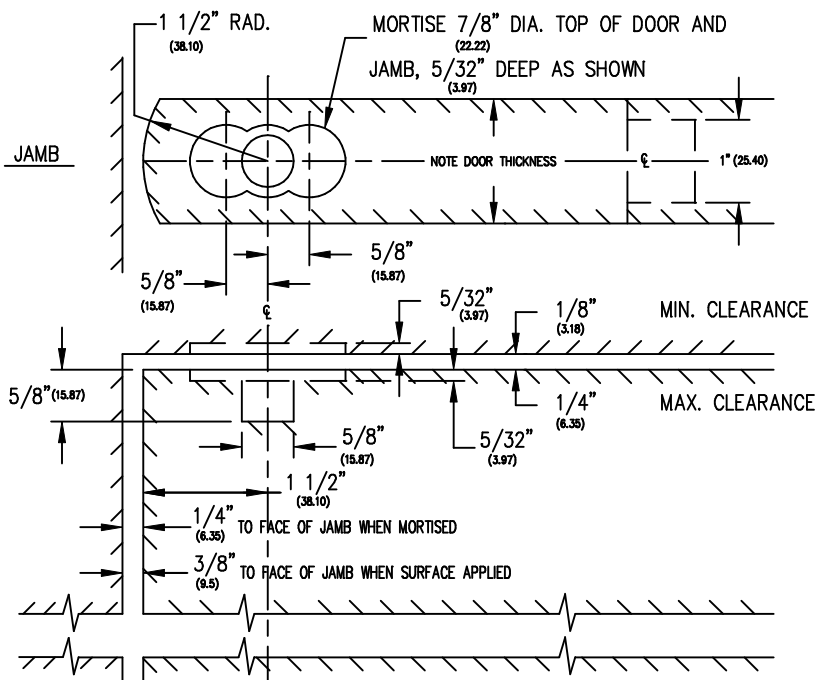
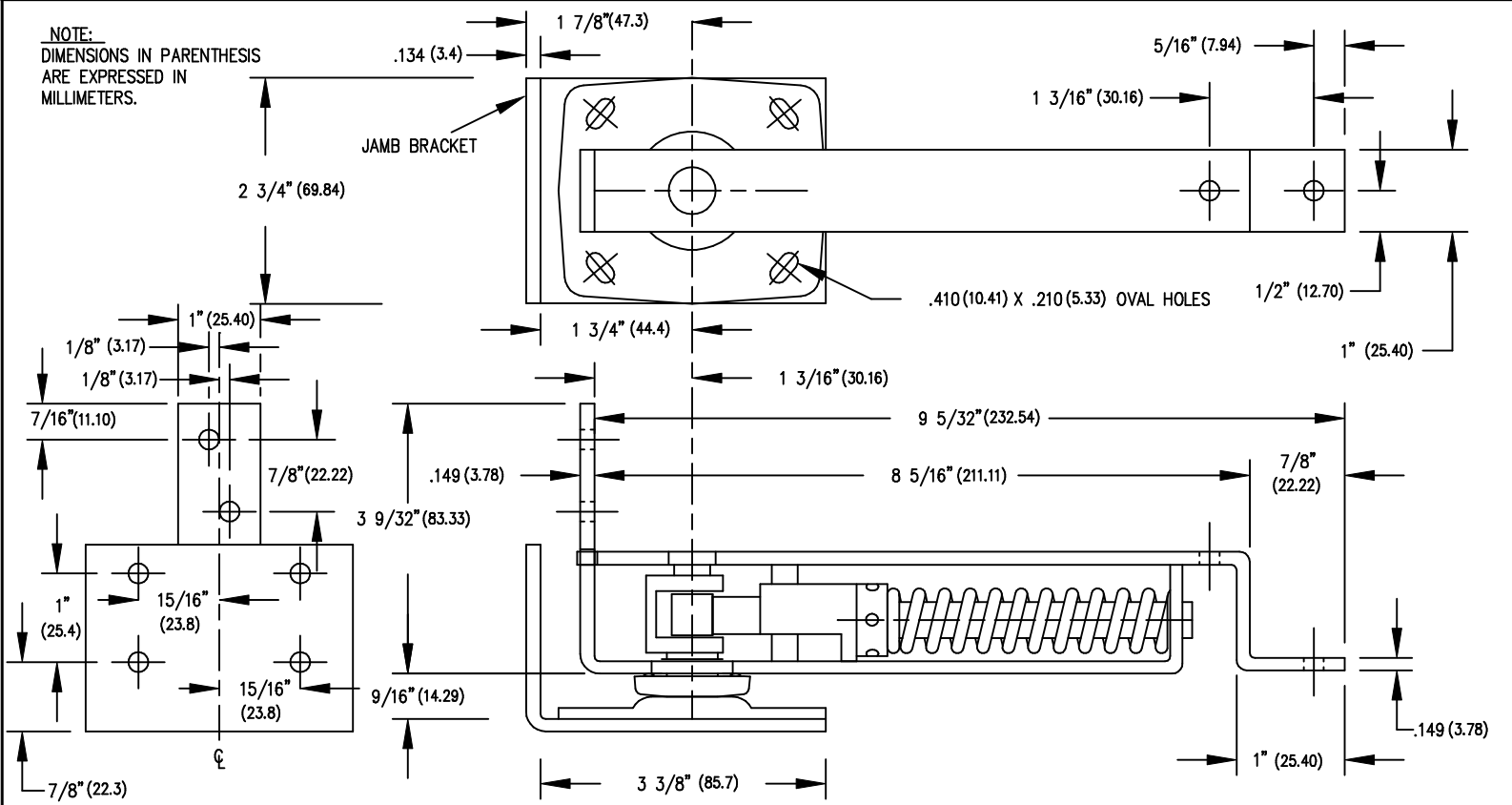


NOTE:
DIMENSIONS IN PARENTHESIS
ARE EXPRESSED IN
MILLIMETERS.



| ITEM | SCREWS |
|--------------|---|
| FRAME | (4) #10 X 1 1/4" P.H.W.S |
| JAMB BRACKET | (4) #10 X 1 1/4" P.H.W.S (4) #10-24 X 1/4" F.H.M.S |
| SIDE PLATE | (6) #6 X 3/4" F.H.W.S |
| BACK PLATE | (1) #10-24 X 1/2" F.H.M.S |
| TOP PIVOT | (4) #10 X 1" F.H.W.S |

NOTE
DOOR THICKNESS
1 3/8" TO 1 3/4"

BOMMER IND. INC. LANDRUM, S.C.
TYPE : HORIZONTAL SPRING PIVOT
DOUBLE ACTING NON-HOLD OPEN
PART NO.: 7814 AND 7814HD
Drawn by : JACKSON DATE SCALE DRAWING NUMBER
Approved by : 09 SEP 03 N.T.S. 7814-TEMP