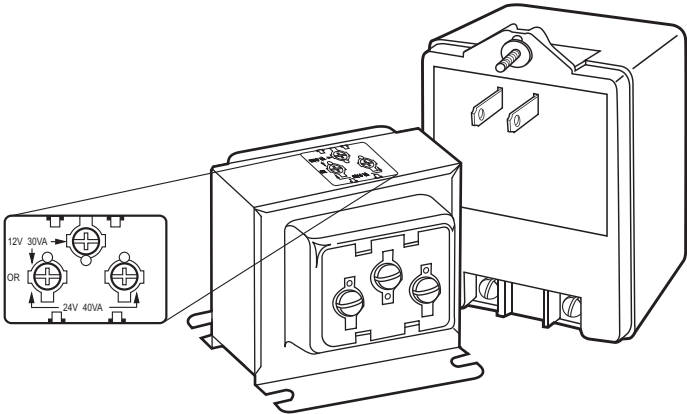
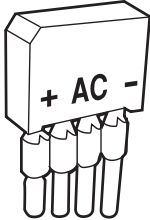
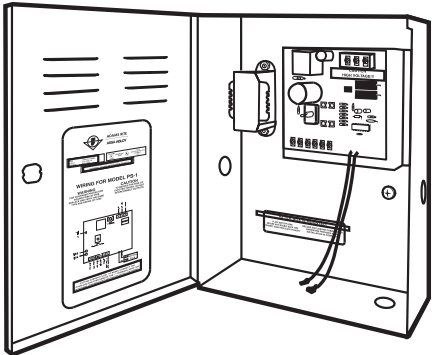
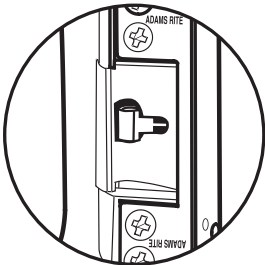
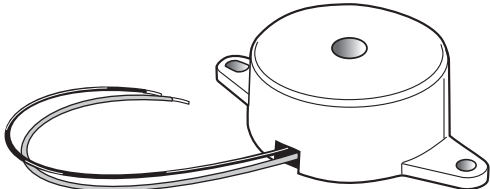
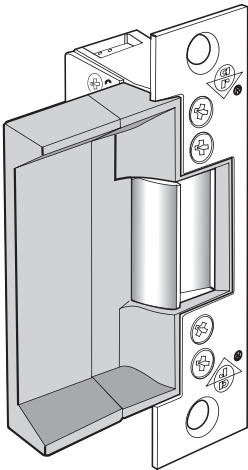


# Options & Accessories

## For Adams Rite Electric Strikes

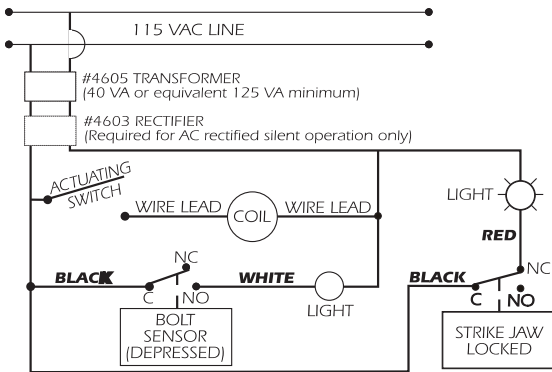


Not available for 7300 Series Compact Electric Strikes

If a visual or other signal is required to tell an operator what the electric strike is doing, a "monitoring" strike to switch that signal on and off is required.

This feature utilizes two sensor switches: one is activated by the latchbolt's penetration of the strike and the other by the mechanism that blocks the strike's release.

These switches can also be used to interconnect two strikes in "mantrap" or interlock situations, such as elevator doors. In these cases, power to the solenoid of each strike is controlled by the switch(es) of the other so one won't unlock unless the other is locked. Each switch has both normally open and normally closed leads so they can be wired to either make or break a circuit. Shown here is one of many possible variations.



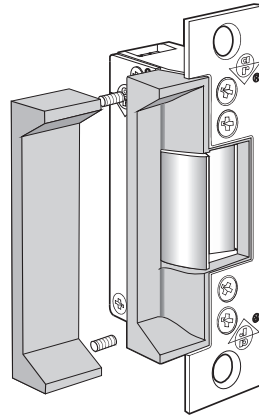
**PS-1**

Provides filtered and regulated voltage output to power electric strikes, magnetic locks or other access control devices. Output is selectable in the field for 12 or 24 VDC. Charging circuit is built in for battery backup power with 12 or 24 VDC operation. LED on circuit board indicates power input.

**29-0218**

Provides for audible indication of when a DC strike is energized. Operates with 12 VDC, 16 VDC or 24 VDC strikes.

Lip extensions are for centerhung doors, thick doors or other conditions that vary from the "standard" 1-3/4" thick door that closes flush (or near flush) with the jamb face. Specified with electric strike by the last dash number which varies the door centerline to jamb edge dimension in 1/8" increments. For existing 7100 Series strikes, a thin metal membrane in the standard lip can be drilled or punched out and the lip extension can be added in the field. (Dash number for lip extension is the same as door centerline to jamb edge dash number on complete strike).



*Lip Extensions for 7200 Series Fire-Rated Strikes must be factory applied.*

**91-0171-01 through -13:**  
For 7100, 7110, 7111, 7130 and 7140 strikes.

**91-0172-01 through -13:**  
For 7160 and 7170 strikes.

**91-0173-01 through -13:**  
For 7108 and 7128 strikes.

**91-0174-01 through -07:**  
For all 7300 strikes.

**4605**

Converts 120VAC to 12VAC/24VAC. Rated 40 Volt-amp output assures plenty of power for strike release.

**4606**

Converts 120VAC current to 24VAC. Plugs into standard wall outlet.

**4603 Rectifier**

Converts low voltage AC current to DC of same voltage. Installs in low voltage line between transformer and strike. Full wave bridge type. Rated 2 amps. (200 PIV).