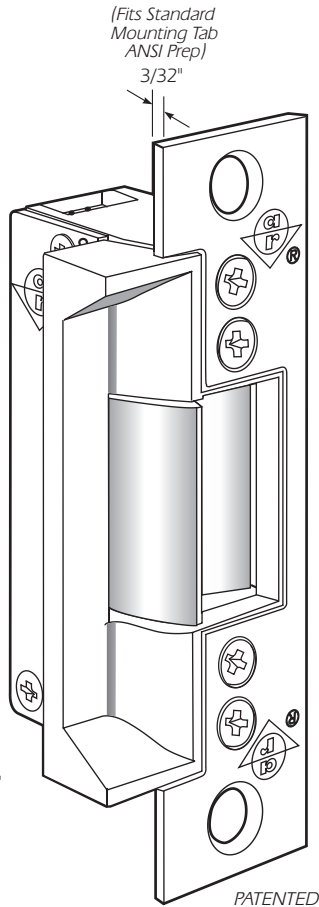


**VOLTAGE**

Available in 12 or 24 volt AC and DC. DC Continuous units are silent, AC Intermittent units "buzz" on operation.

**CURRENT DRAW/AMPS**

Volts	AC Int.	DC Cont.
12	1.42	.33
24	.74	.17



**UL Listed for Burglary Resistance.**  
**UL 10C for up to 3-hour Fire Door Assemblies.**

**Case**

Approx. 1" x 3-3/8" x 1-5/8" deep. Made of Zinc-aluminum alloy.

**Function**

Remote electrical control of any door equipped with cylindrical (key-in-knob/lever) type latchsets listed above. Electrical actuation unlocks strike jaw, releasing latchbolt, so door can be opened without operating latch itself. Extremely compact mechanism fits into jamb sections as shallow as 1-21/32".

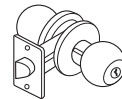
**7240 Fire-Rated**

*ANSI/BHMA Type EO9321 (Grade 1)*

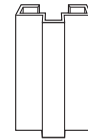
*Fire-Rated in Fail-Secure Mode For Hollow Metal Jambs*

**LATCH TYPE**

Fire-Rated Cylindrical Latches with up to 5/8" Projection



**DOOR FRAME TYPE**



Hollow Metal

**Strike Opening**

5/8" x 1-7/16" x 9/16" deep. Bolt retainer jaw and strike lip are made of stainless steel. Strike accepts bolt from a variety of latchsets.

**Strike Lip**

Basic 7240 strikes have lip of proper length for 1-3/4" thick door that closes flush with jamb edge.

**Faceplate**

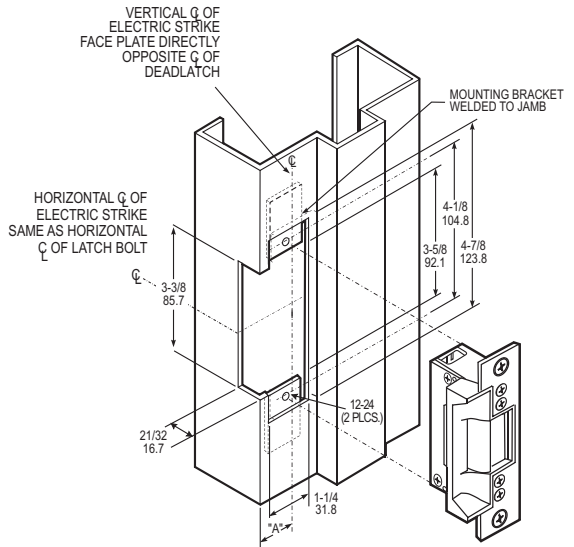
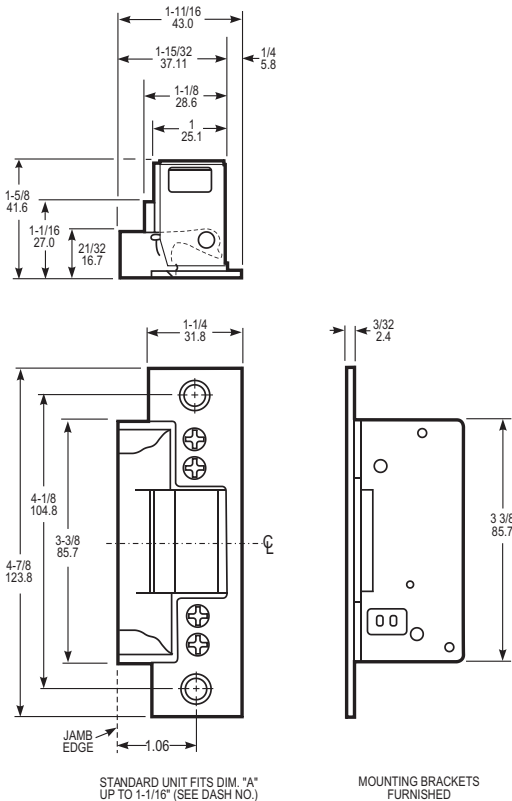
Measures 1-1/4" x 4-7/8". Faceplate is flat, with square corners.



260 Santa Fe Street  
 Pomona, California 91767  
 (800) 872-3267 Fax: (800) 232-7329  
 www.adamsrite.com

**INCHES  
MILLIMETERS**

Nominal, subject to tolerance extremes.



**Turn strike upside down for opposite hand.**

**Installation In Steel Jamb**

Specify quantity and the following information.  
Order 4603 Rectifier and/or 4605 or 4606 Transformer separately.

**Voltage**  
12 Volt  
24 Volt

**Current & Duty**  
DC Continuous  
or Intermittent  
AC Intermittent

**Features**  
Fail-Secure\*  
Monitor/Fail-Secure

**7240 - 310 - 630 - 50**

**Finish**  
Satin Stainless

\*Not available Fail-Safe.

**Lip Extension (Dim."A")**  
(Door Centerline to Jamb Edge for Interior Frames)  
1.06 or less  
1.38"

Individually boxed with mounting screws. Includes mounting clips and adhesive shims for use where welded tabs are omitted.

Available with two monitoring signal switches which sense whether latch bolt is in strike and whether strike jaw is blocked. Choice of voltage in AC and DC for intermittent or continuous duty. Assembled for fail-secure (locked when unpowered) operation.

**4603 Rectifier** - Converts AC to DC, installs in low voltage line between transformer and strike. Rated 2 amps. (200 PIV).

**4605 Transformer** - Converts 120VAC to 12/24VAC. Rated 40 Volt-amp output assures plenty of power for strike release. Patented mounting bracket fits in knockout hole of standard junction boxes.

**4606 Transformer** - Plug-in version for standard wall outlet.

See separate specification sheet for more information on Strike options.