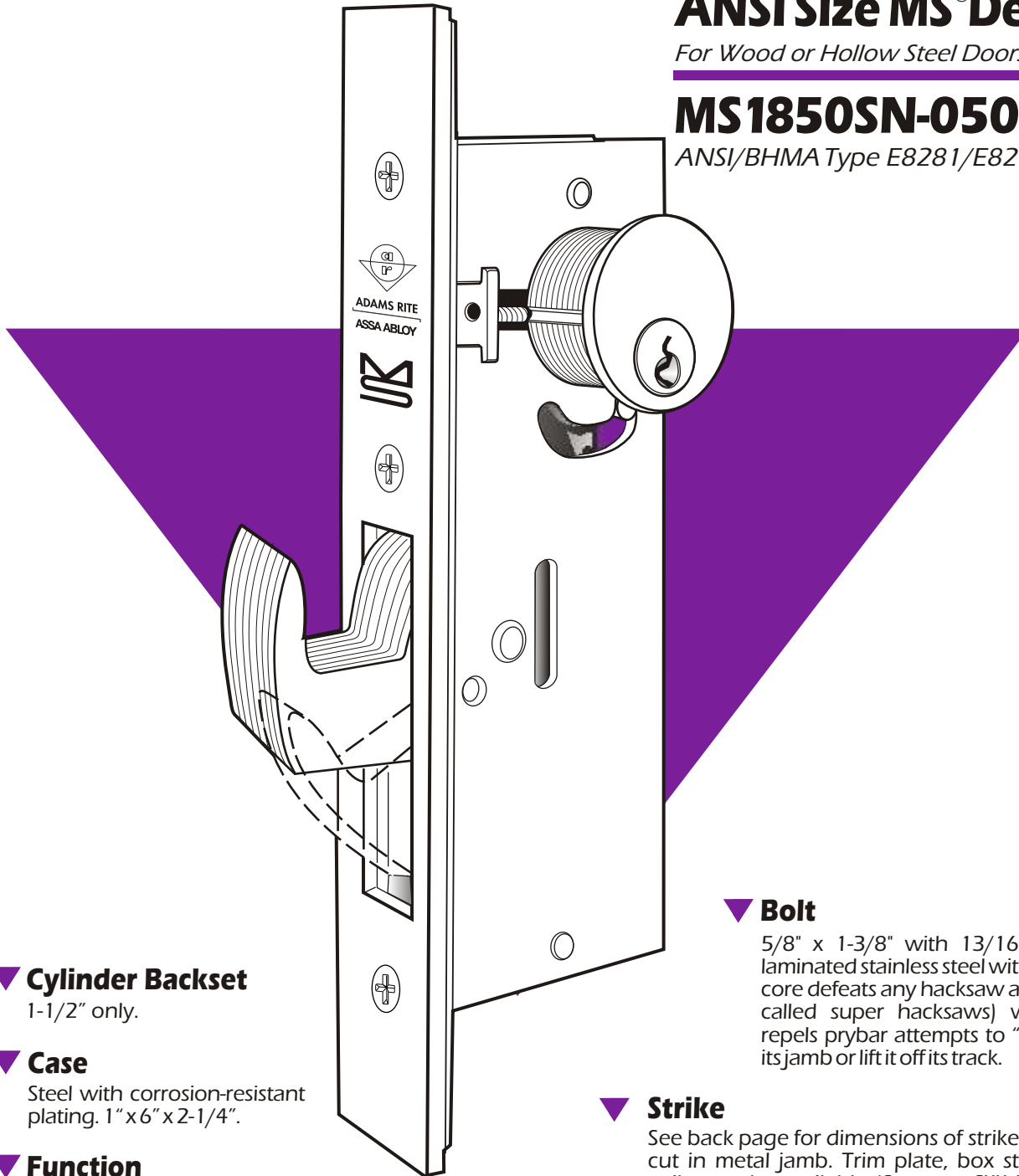


ANSI Size MS® Deadbolt

For Wood or Hollow Steel Doors - 1-1/4" x 8" Faceplate

MS1850SN-050 Series

ANSI/BHMA Type E8281/E8291 (Grade 1)



▼ Cylinder Backset

1-1/2" only.

▼ Case

Steel with corrosion-resistant plating. 1" x 6" x 2-1/4".

▼ Function

For hollow metal or wood sliding doors prepared for hardware according to the specifications of the American National Standards Institute, this MS® deadbolt provides maximum security and ease of installation. Its standard 1-1/2" backset dimension provides adequate clearance for the deep jamb "pocket" of many commercial and industrial entrances. Also useful for swinging doors closing against jambs too shallow for the 1-3/8" throw of the MS1850SN swinging door deadbolt.

▼ Bolt

5/8" x 1-3/8" with 13/16" throw. Eight-ply laminated stainless steel with Alumina Ceramic core defeats any hacksaw attack (including so-called super hacksaws) while hook shape repels prybar attempts to "spread" door from its jamb or lift it off its track.

▼ Strike

See back page for dimensions of strike slot which can be cut in metal jamb. Trim plate, box strike and armored strike are also available. (See page SW-17).

▼ Operation

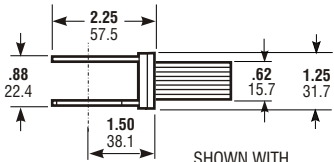
360° turn of key or thumbturn throws or retracts the counterbalanced bolt. Key can be removed only when bolt is in a positively locked or unlocked position. Lock accepts any standard 1-5/32" diameter mortise cylinder or thumbturn from either or both sides. Cylinder must have MS® dimensioned cam. (See page SW-36).



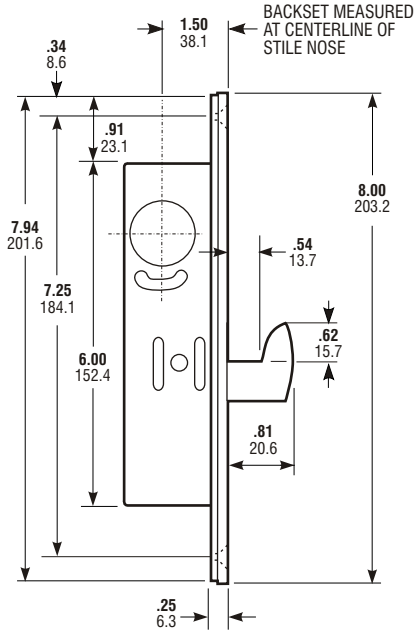
MS 1850SN-050 ANSI Size Deadbolt

DIMENSIONS

INCHES
MILLIMETERS
Nominal, subject to tolerance extremes.



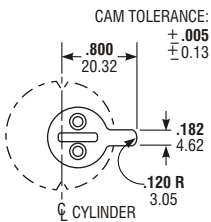
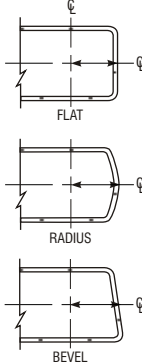
SHOWN WITH
FLAT FACEPLATE



BACKSET MEASURED
AT CENTERLINE OF
STILE NOSE

| ARMORED FACEPLATE 1-1/4" x 8" | |
|-------------------------------------|--------------|
| FLAT | MS1850SN-050 |
| RADIUS | MS1851SN-050 |
| LH BEVEL | MS1852SN-055 |
| RH BEVEL | MS1852SN-056 |

HOW BACKSET IS MEASURED



Cylinder Cam

MS1850SN-050 Series locks are operable by any standard 1-5/32" diameter mortise cylinder with special MS® cam dimensioned as shown. Cylinders with MS® cams can be readily obtained from most cylinder manufacturers. See page SW-36 for cylinder make and trim ring information.

HOW TO ORDER

Specify quantity and the following information.
Order related hardware separately.

Faceplate Shape

1850SN Flat
1851SN Radius
1852SN Bevel

Handing

455 LH or RHR
456 RH or LHR
450 Non-Handed*

MS 1850SN - 450 - 628

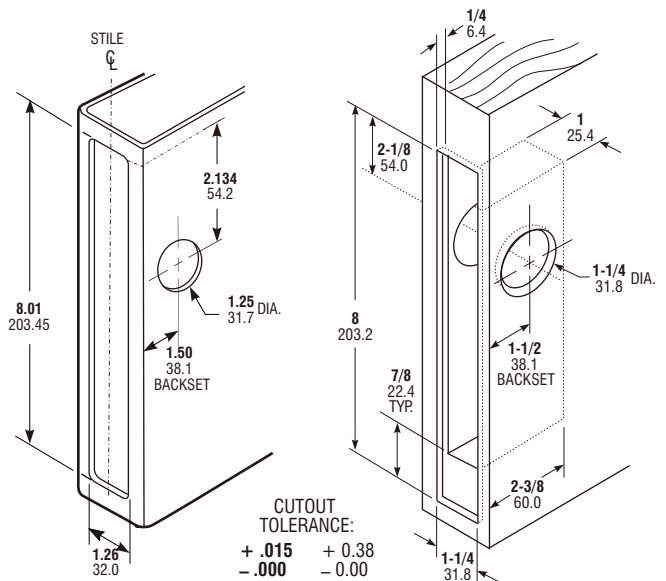
Finish

628 Clear Anodized
313 Dark Bronze Anod.
335 Black Anodized

*Any flat or radius face.

Consult factory about special finishes.

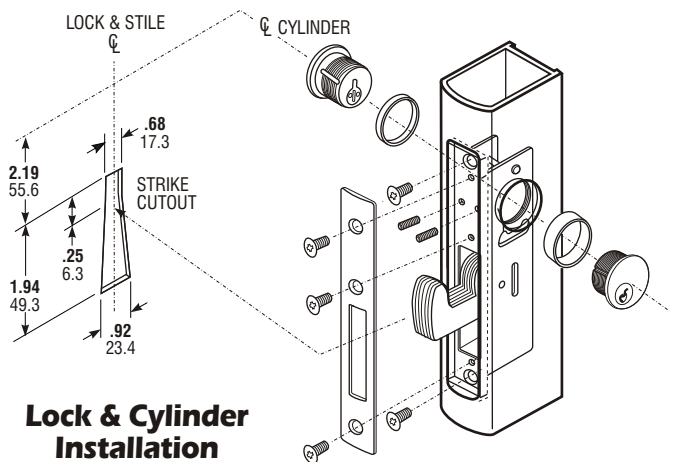
INSTALLATION



CUTOUT
TOLERANCE:
+ .015 + 0.38
- .000 - 0.00

Stile Preparation

Wood Door Preparation



Lock & Cylinder Installation

OPTIONS

Choice of faceplate finish and shape (flat, radiused or bevel cross-section to match door nose) must be specified.

STANDARD PACKAGE

Individually boxed with machine screws for mounting. Cylinders and/or thumbturn available at extra cost. Shipping weight: 1-1/2 lbs.