





Housing Installation:


⚠ WARNING	
	<p>Danger from energised parts!</p> <ul style="list-style-type: none"> ▷ Risk of severe injuries. ▶ Before any maintenance work commences, disconnect the device from the power supply. ▶ Secure the device against unauthorised activation.
⚠ WARNING	
<p>Installation may only be performed by qualified personnel!</p> <ul style="list-style-type: none"> ▶ Installation work may only be performed by authorized personnel suitably trained for this purpose. ▶ Follow all applicable national and local regulations. 	
⚠ WARNING	
	<p>Use of cable glands without cable strain-reliefs!</p> <ul style="list-style-type: none"> ▷ Explosion protection cannot be guaranteed any more if cable glands are installed without cable strain-reliefs in the vicinity of loosely laid cables and leads. ▶ Securely lay cabling and leads. ▶ If installation is to take place in areas with loosely laid cables, only use cable glands that are approved for this application.
⚠ WARNING	
	<p>Danger through damaged threads!</p> <ul style="list-style-type: none"> ▷ If threads are damaged, the necessary flame path for explosion protection is not guaranteed. ▶ Handle the cover with extreme care and fit it carefully to the enclosure. ▶ Replace a cover or enclosure with damaged threads immediately!
	<p>The enclosures are furnished with or without drilled and tapped conduit openings. Drilling and tapping of openings is subject to the limitations of maximum size and number of openings as well as spacings and removed area. Refer to section "Drilling and Tapping of Entries". All machining must be done prior to installation.</p>

- Select a mounting location that will provide suitable strength and rigidity for supporting all contained wiring and control devices (Mounting dimensions: see section "Technical Data").
- Securely fasten enclosure to the mounting location, then attach into wiring system.
- Unscrew enclosure cover and remove it carefully, set it aside to prevent damage to the cover threads.
- Pull wires into enclosure, making sure they are long enough to make the required connections. Make all electrical connections. Attach the cover to the enclosure, tighten cover carefully and secure it with the Set Screw.
- Conduit sealing must be installed within 18 inches of the enclosure.
- Pour sealing compound into sealing fittings (as required) in accordance with the supplied Instructions as well as the NEC and the CEC.
- All entry holes have to be closed by close-up plugs, conduit or cable fittings with the same listing (Class, Division, Groups) then the enclosure.

Grounding and Bounding

The internal grounding terminal shall be used as the primary equipment ground.
 The external terminal is only a supplemental bonding connection where local authorities permit or require such a connection.

Maintenance

⚠ WARNING	
	<p>Danger from energised parts!</p> <ul style="list-style-type: none"> ▷ Risk of severe injuries. ▶ Before any maintenance work commences, disconnect the device from the power supply. ▶ Secure the device against unauthorised activation.
⚠ WARNING	
<p>Risk due to unauthorised work performed on the device!</p> <ul style="list-style-type: none"> ▷ There is a risk of injury and damage to equipment. ▶ Assembly, installation, commissioning, operating and maintenance work must only be performed by personnel who is both authorized and suitably trained for this purpose. 	

Regular maintenance work

- Consult the relevant regulations to determine the type and extent of inspections.
- Plan the intervals so that any defects in the equipment which may be anticipated are promptly detected.

To check as part of the maintenance schedule:

- X Inspect device for visible damage.

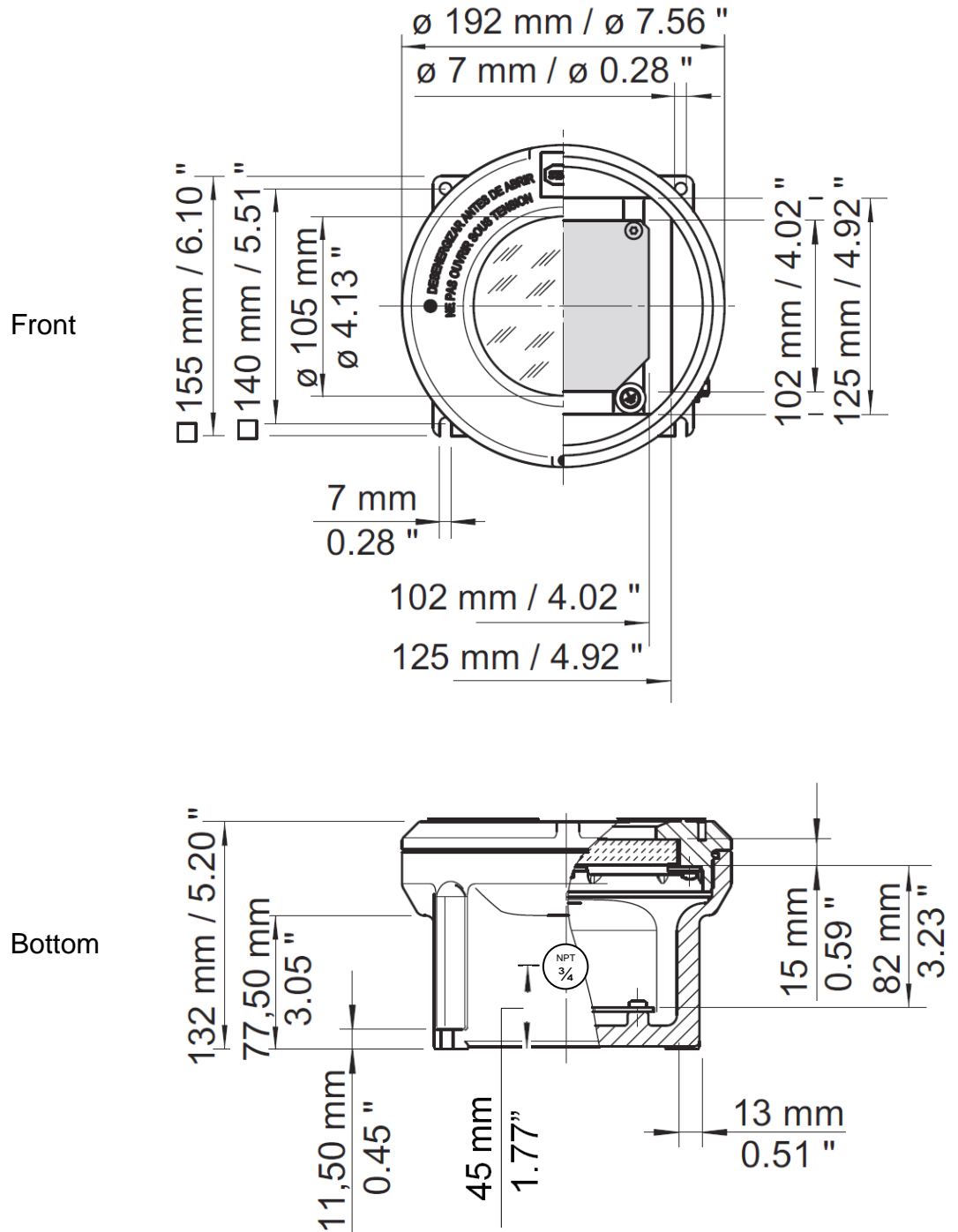
Cleaning

- X Clean with a cloth, brush, vacuum cleaner or similar items.

⚠ WARNING	
<p>Use of non-approved accessories and spare parts.</p> <ul style="list-style-type: none"> ▷ The manufacturer's liability and warranty expire. ▶ Use only original accessories and original spare parts. 	

Technical Data:

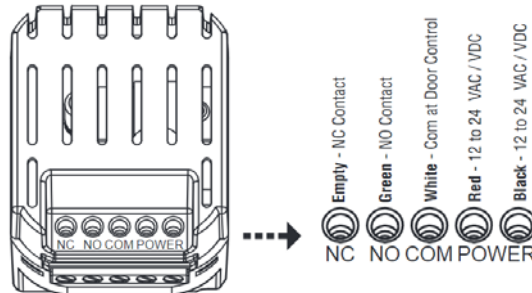
Enclosure Dimensions



Switch Installation:

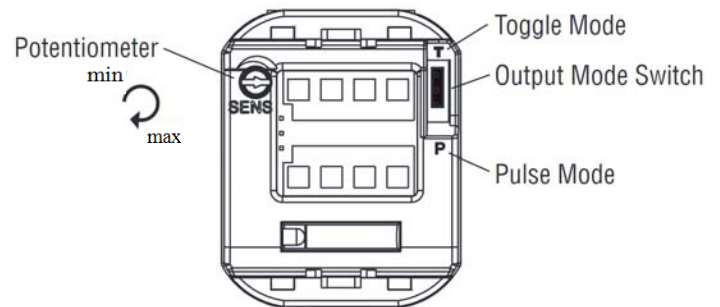
1 – Bring your 4-conductor wire through the provided 3/4" NPT hole on the bottom of the enclosure and leave approximately 8" tail for wiring connection. All entry holes have to be closed by close-up plugs, conduit or cable fittings with the same listing (Class, Division, Groups) then the enclosure.

2 – Make the electrical connections to the device according to the wiring section (below).



3 – Using the slide switch located on the front end of the unit; set the output mode (If Changes are required).

- Factory Switch Settings: Pulse "P"
 - Optional Mode: Toggle "T"



4 - SENS Potentiometer Settings:

- Range Adjustment - (factory adjusted, adjust if needed)

5 – Attach the polycarbonate cover plate to the standoffs using the supplied screws.

- Do not overtighten!!

7 - Install housing cover, making sure to carefully align threads. Tighten securely using supplied wrench handles and tighten cover set screw (do not overtighten). Be very careful to not damage housing cover threads. If any damage occurs replace cover and or housing.

Request To Exit (REX) Switch Technical Data (V1.2)

Technology	Microwave Doppler Radar
Radiated Frequency	24.125 GHz
Radiated Power Density	5 mW/cm ²
Voltage	12-24VDC
Current Draw	125 mA Max
Relay Contact	SPDT, 1A @ 60VDC
Adjustable Sensing Range	1" - 5", Hand
Output Modes	Pulse (Default) and Toggle
Operating Temperature	-4°F to +131°F (-20°C to +55°C)